

4

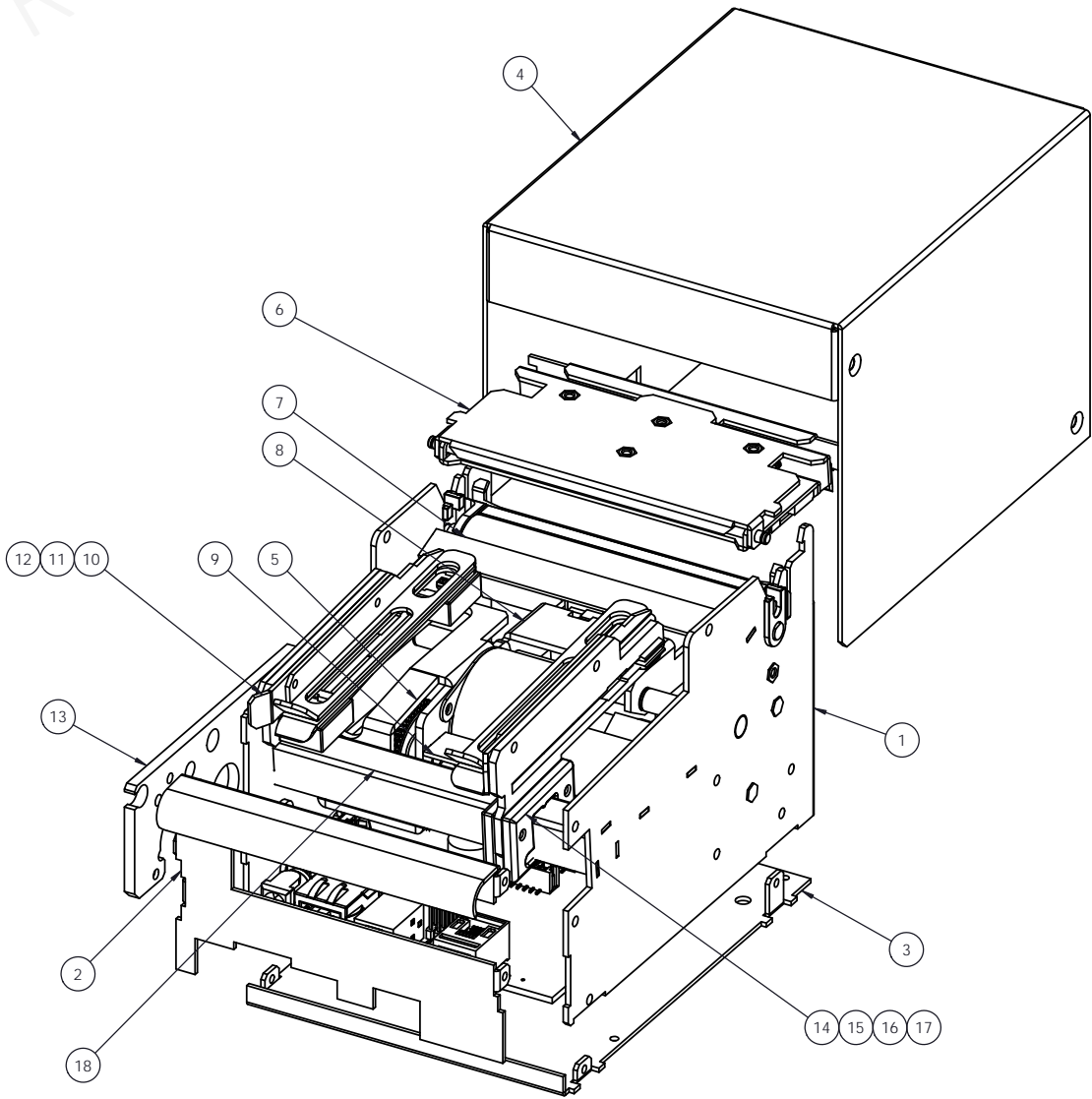
3

2

1

REVISIONS			
LTR	DESCRIPTION	BY	DATE

ITEM NO.	PART NUMBER	DESCRIPTION	MATERIAL	Thickness	QTY.
1	424128 (REV i)	UPG Frame - Lemur-X	5052-H32	0.063	1
2	424129 (REV e)	UPG Paper Guide Lemur-X	5052-H32	0.05	1
3	424132 (REV c)	Upg Base Lemur - x	5052-H32	0.05	1
4	424153 (REV b)	UPG Dust Cover Lemur-X	5052-H32 AL	0.05	1
5	424064-X-C (REV m)	Lemur - X Cutter Gear	5052-H32 AL	0.09	1
6	424143 (Rev c)	UPG Fixed Blade Lemur-X	AISI 304	0.05	1
7	424118 (REV b)	Paper Guide Plate UPG Lemur - X	5052-H32	0.05	1
8	424065-X-UPG (REV a)	Cutter knife Lever	AISI 304	0.075	1
9	424145 (REV e)	Cover Plate	5052-H32	0.05	1
10	424136 (REV f)	UPG Slot Left Lemur-X	5052-H32	0.05	1
11	424137-STD (REV f)	UPG Hole Left Lemur-X	5052-H32	0.05	1
12	424151 (REV d)	UPG left Slide Lemur-X	5052-H32	0.09	1
13	424152 (REV a)	UPG Roll Stock Base Lemur-X	5052-H32 AL	0.125	1
14	424140 (REV h)	Guide rail block	Delrin	0	1
15	424135 (REV i)	UPG Right Slide Lemur-X	5052-H32	0.09	1
16	424138-STD (REV f)	UPG Hole Right Lemur-X	5052-H32	0.05	1
17	424139 (REV f)	UPG Slot Right Lemur-X	5052-H32	0.05	1
18	424141 (REV j)	UPG Slide Rail Lemur-X	5052-H32	0.05	1



PRELIMINARY

REMOVE ALL BURRS & SHARP EDGES		UNLESS SPECIFIED DIMS ARE IN INCHES		BOCA Systems, Inc.	
APPLICATION		FRACTION DECIMAL ANGLE		SHORT UPG LEMUR X	
ASSEMBLY	MODEL	QTY	±1/8 .xxx±.010 ±1/2°	REV. 1.66	
			DWN. BY	APPR. BY	
				Xx	
			DATE CREATED	SCALE: 1:2	SIZE C
			8/13/2020	SHEET 1 OF 2	DRAWING NO. 424127
					REV. g

4

3

2

1

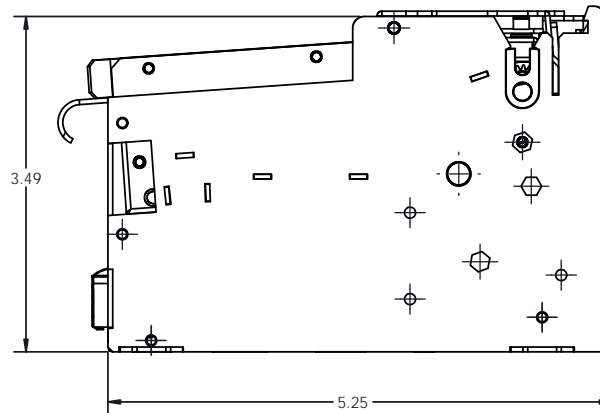
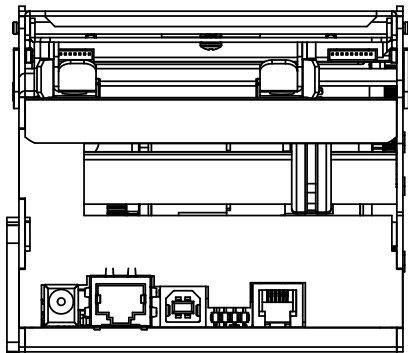
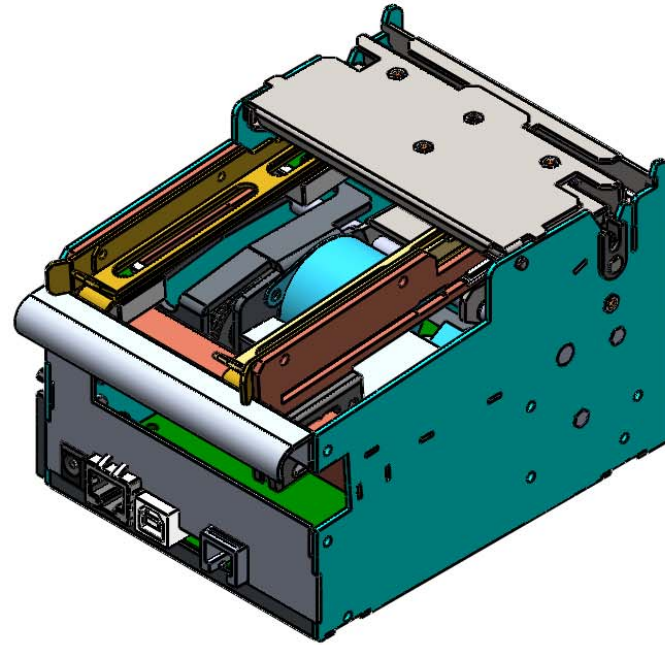
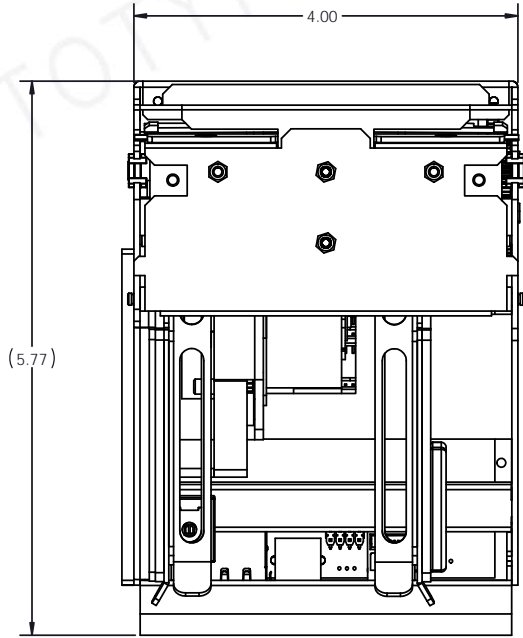
4

3

2

1

REVISIONS			
LTR	DESCRIPTION	BY	DATE



PRELIMINARY

REMOVE ALL BURRS & SHARP EDGES			UNLESS SPECIFIED, DIMS ARE IN INCHES		<i>BOCA Systems, Inc.</i>
APPLICATION			FRACTION	DECIMAL ANGLE	
ASSEMBLY	MODEL	QTY	±1/8	±.010 ±1/2°	SHORT UPG LEMUR X
			DWN. BY	APPR. BY	
				Xx	
			DATE CREATED	SCALE: 1:2	SIZE C DRAWING NO. 424127
			8/13/2020	SHEET 2 OF 2	REV. g

4

3

2

1