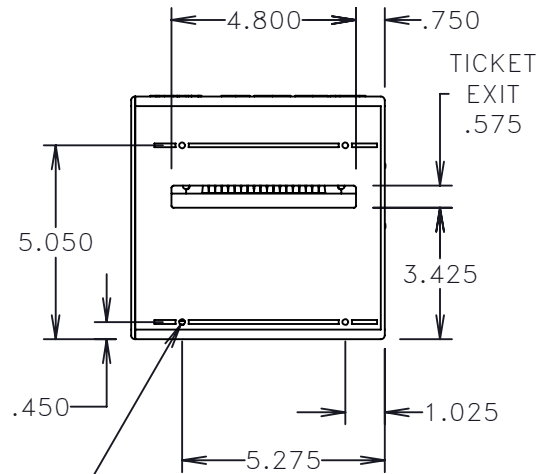
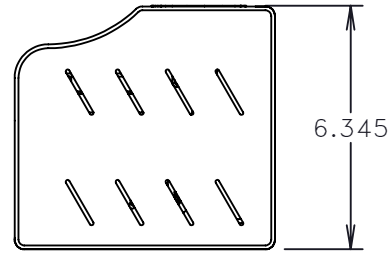
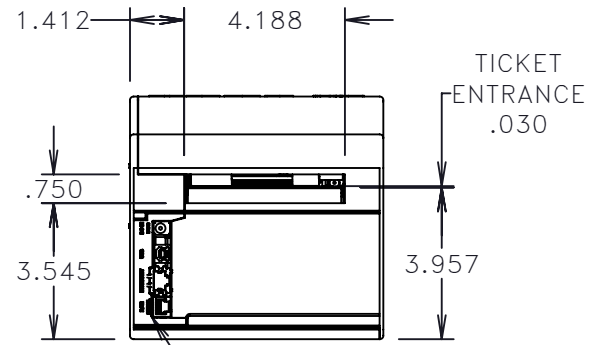
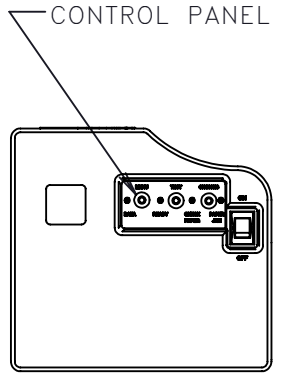
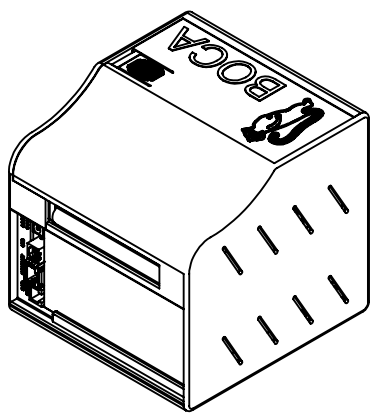
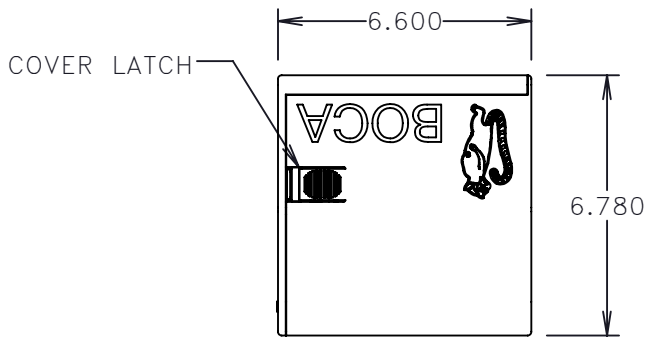
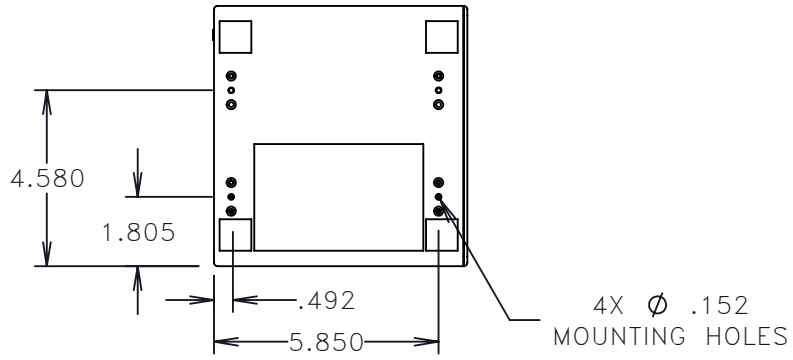


REVISIONS			
LTR	DESCRIPTION	BY	DATE
A	RELEASE	A.C.	06-08-15



INTERFACE CONNECTIONS



4X Ø .150 THRU MOUNTING HOLES

MATERIAL:	UNLESS SPECIFIED DIMENSIONS ARE IN INCHES		CUST. APP.	ENGR. MOD
FINISH:	FRACTION	DECIMAL	ANGLE	DWN BY
	±	.XX±.010	±1/2°	A.C.
		.XXX±.005		
APPLICATION			PAGE	OF SCALE:
ASSEMBLY	MODEL	QTY	1 / 1	NONE
	LEMUR-C	1	DATE	6/8/2015

*BOCA Systems, Inc.*

**LEMUR-C  
REFERENCE DRAWING**

CODE IDENT. No.	SIZE	DRAWING NO.	REV.
	A	424030	A