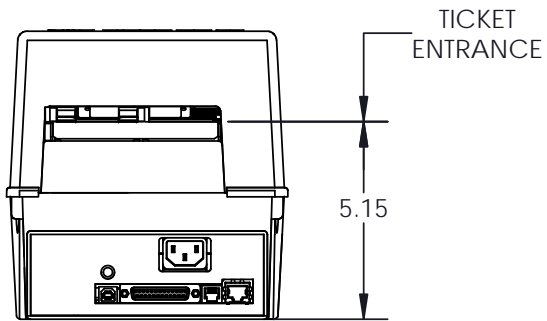
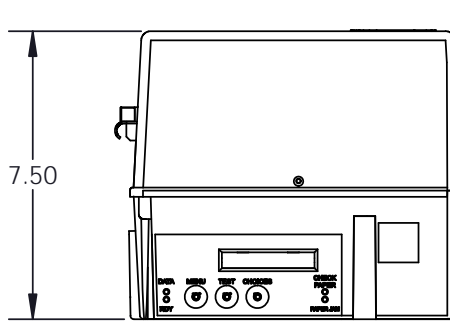


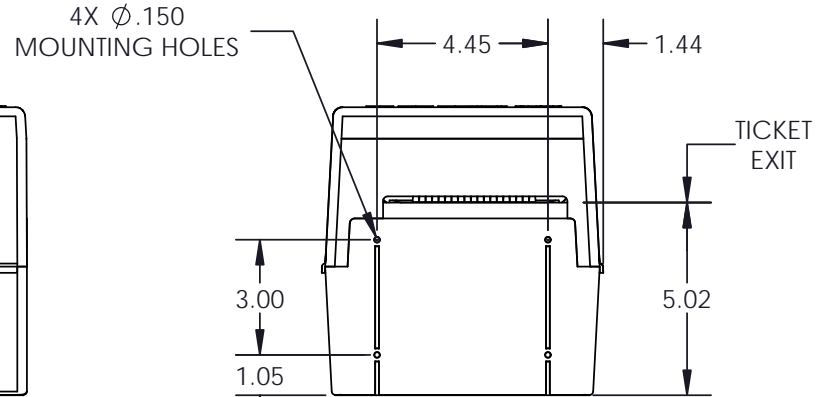
REVISIONS			
LTR	DESCRIPTION	BY	DATE
A	RELEASE	G.G	2/28/12
B	UPDATED LEMUR DIMENSIONS/ADDED NOTES/CHANGED DRAWING PNo. WAS SK01031201	OM	01/16/18
C	UPDATED TO LEMUR-K UPG	OM	09/19/19



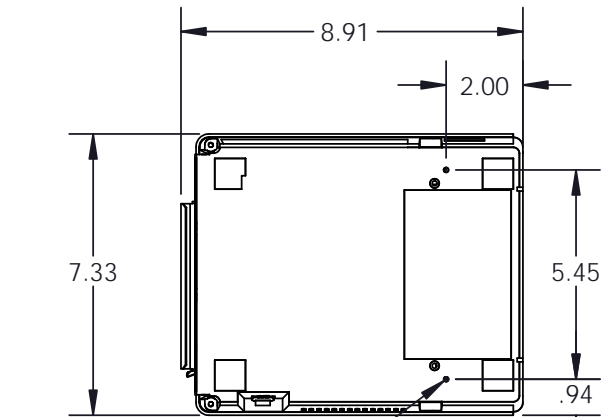
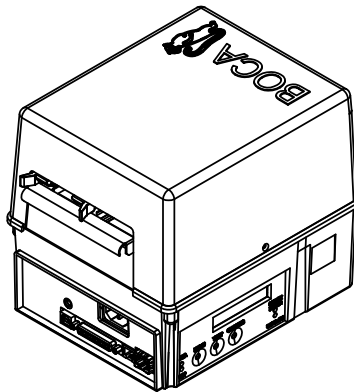
BACK VIEW



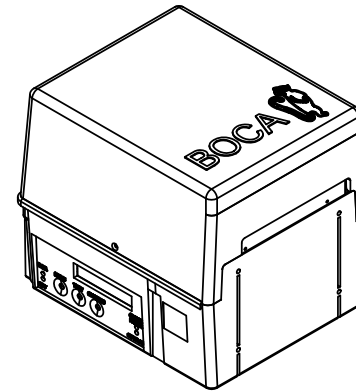
SIDE VIEW



FRONT VIEW



BOTTOM VIEW



REMOVE ALL BURRS & SHARP EDGES			UNLESS SPECIFIED DIMS ARE IN INCHES	
APPLICATION			FRACTION	DECIMAL
ASSEMBLY	MODEL	QTY.	±1/8	.XX±.010
	LEMUR-K-UPG			±1/2°
			DWN. BY	APPR. BY
			OM	
			DATE CREATED	
			9/19/2019	

BOCA Systems, Inc.

LEMUR-K
REFERENCE DRAWING

WT.
0.04

REV.
C

SCALE: 1:8
SHEET 1 OF 1

SIZE
A

DRAWING NO.
424150

REMOVE ALL BURRS AND SHARP EDGES