

BOCA SYSTEMS: 11/27/2023 (C:\CAD-2023\424149 LEMUR UPG\424149A-2022-K (REV A)\..)

LEMUR/K/MODEL: K-2022/UPG

ITEM.	QTY.	PART NO.	REV.	DESCRIPTION.
PLASTIC COMPONENTS				
1	1	420881-EXT (REV D)	D	Lemur/ Cover
2	1	420880-CB-EXT (REV E)	E	Lemur/Printer Mntg Plate
3	1	420880-EXT (REV M)	M	Lemur/Cabinet Base
SUB-ASSEMBLIES				
4	1	BR46A		LEMUR CIRCUIT BOARD
5	1	Power Supply Assembly		
6	1	424149-2023 (SA) (REV A)	A	
7	1	423748-2023 (SA) (REV A)	G	Lemur, Print Cage W/Cutter (Sub-Assy)

RELEASED

REMOVE ALL BURRS & SHARP EDGES			UNLESS SPECIFIED DIMS ARE IN INCHES		
APPLICATION			FRACTION	DECIMAL	ANGLE
ASSEMBLY	MODEL	QTY.	±	.XX±	±
				.XXX±	
			DWN. BY	APPR. BY	
LEMUR/K	K-2022/UPG		DATE CREATED		
			11/27/2023		

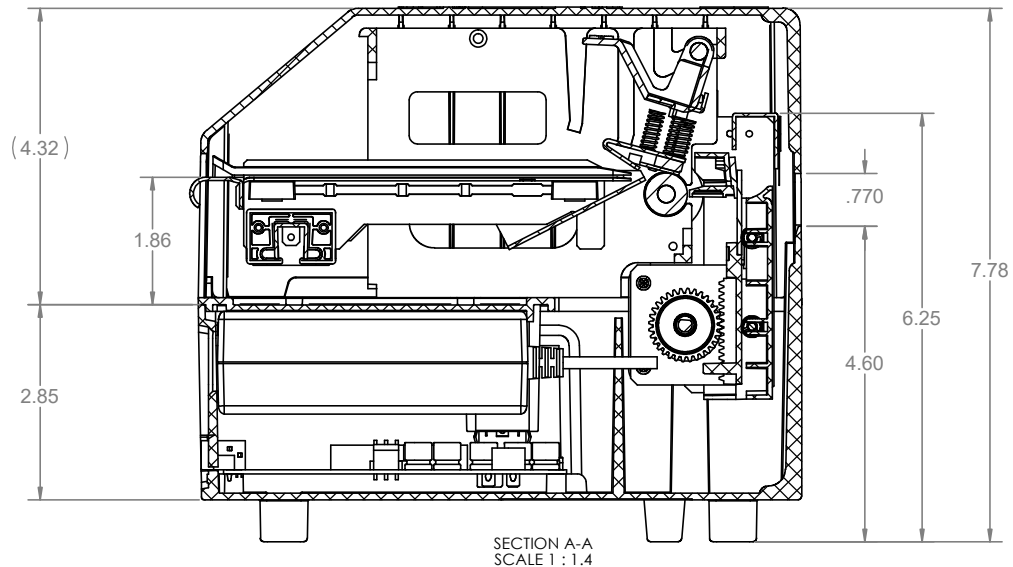
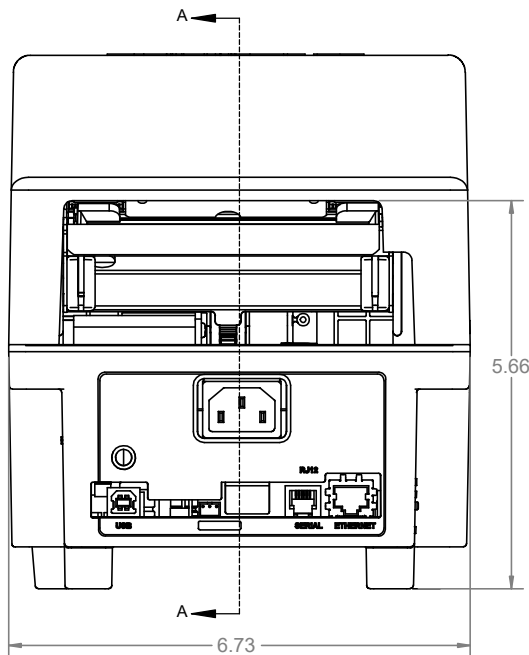
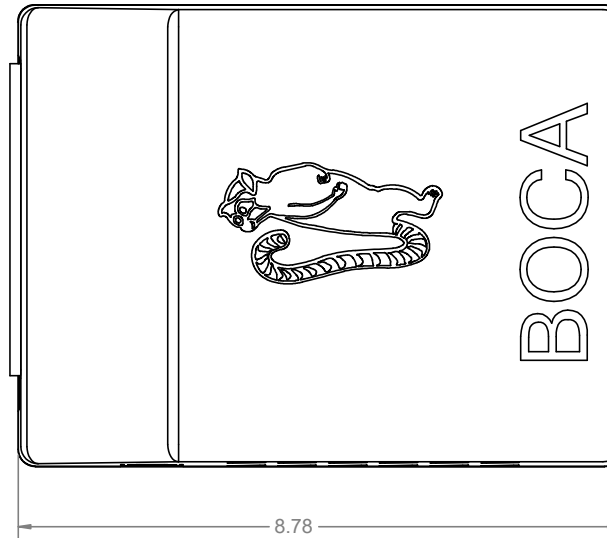
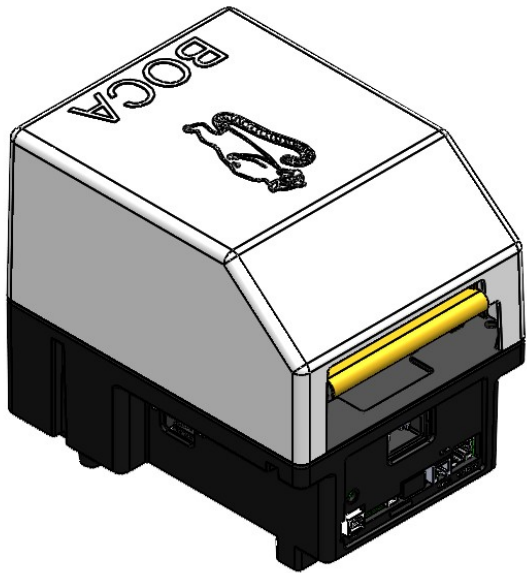
BOCA Systems, Inc.

**LEMUR-K/UPG-2022
(ASSEMBLY)**

WT.
3.97

REMOVE ALL BURRS AND SHARP EDGES

SCALE: 1:4	SIZE C	DRAWING NO. 424149A-2022-K	REV. A
SHEET 1F	2		



RELEASED

REMOVE ALL BURRS & SHARP EDGES			UNLESS SPECIFIED DIMS ARE IN INCHES	
APPLICATION			FRACTION	DECIMAL ANGLE
ASSEMBLY	MODEL	QTY.	± .XX±	±
			DWN. BY	APPR. BY
LEMUR/K	K-2022/UPG			
			DATE CREATED	
			11/27/2023	

BOCA Systems, Inc.

LEMUR-K/UPG-2022 (ASSEMBLY)

WT. 3.97

REV. A

SCALE: 1:4 SHEET 2F 2

SIZE C

DRAWING NO. 424149A-2022-K

REMOVE ALL BURRS AND SHARP EDGES