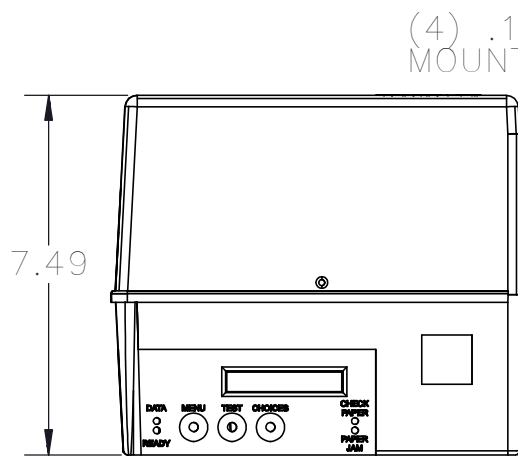
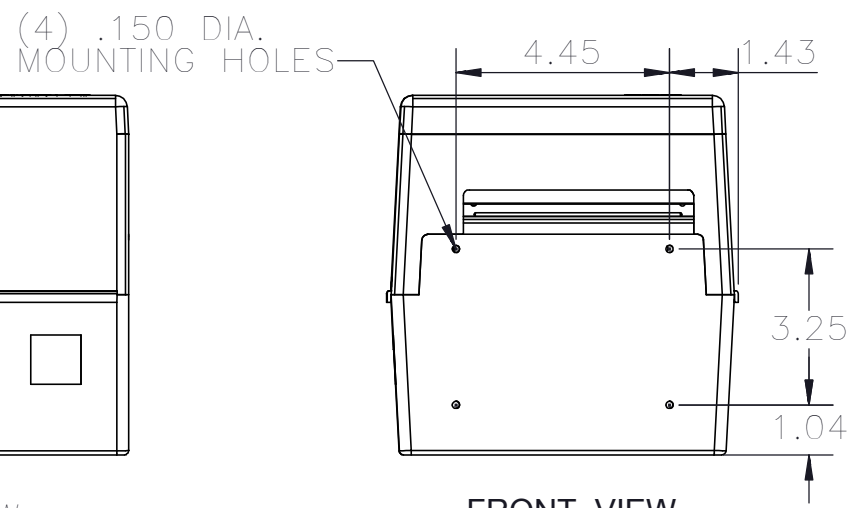


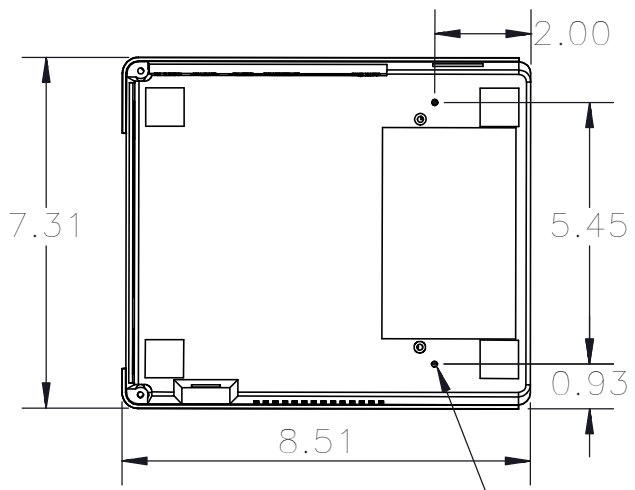
BACK VIEW



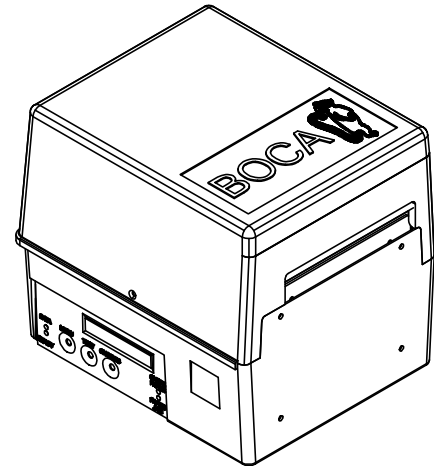
SIDE VIEW



FRONT VIEW



BOTTOM VIEW



rev. B - revised captions

| | | | | | | | | | | | |
|---------------------------|-------|---|---------|---------------------------|-----------|---------------------------|------|-------------|------|------------|---------------------|
| MATERIAL: PLASTIC CASE | | UNLESS SPECIFIED DIMENSIONS ARE IN INCHES | | CUST. APP. | ENGR. MOD | <i>BOCA Systems, Inc.</i> | | | | | |
| FINISH: | | FRACTION | DECIMAL | ANGLE | DWN BY | | | | | ENGR. APP. | LEMUR REFERENCE DWG |
| | | ± | — | .XX ± .010 .XXX ± .005 | ±1/2° | G.G. | m | | | | |
| APPLICATION | | | PAGE | OF | SCALE: | | | | | | |
| ASSEMBLY | MODEL | QTY | 1 | / | 1 | NONE | | | | | |
| | | LEMUR, PLASTIC | DATE | 2/28/2012 | | CODE IDENT. No. | SIZE | DRAWING NO. | REV. | | |
| | | | | | | | A | SK01031201 | B | | |