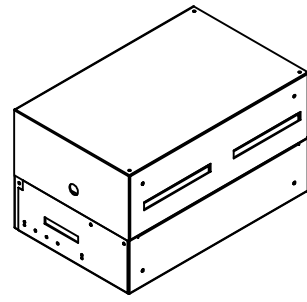
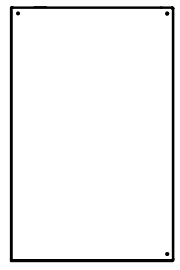
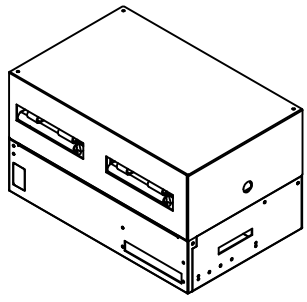
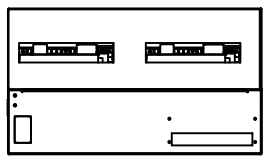


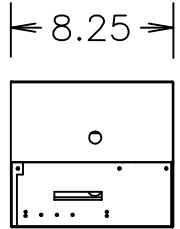
REVISIONS			
LTR	DESCRIPTION	BY	DATE
A	RELEASE	TM	11-6-09
B	ADDED LEMUR-K MOUNTING DETAILS,	TM	1-22-13



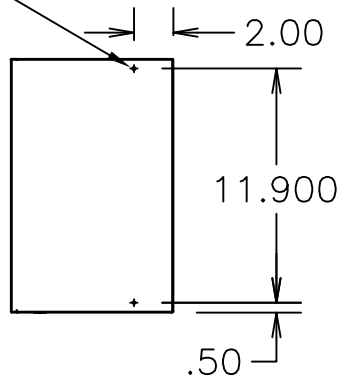
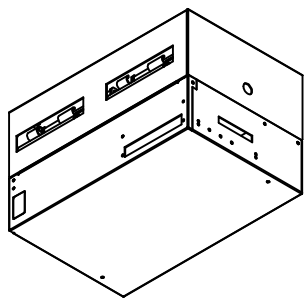
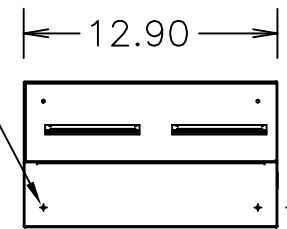
7.45



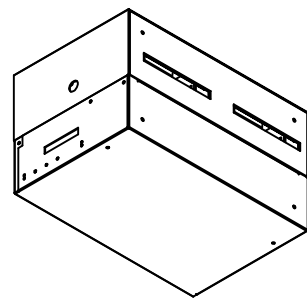
$\triangle B$
6-32 TAP(2)
AVAILABLE FOR
MOUNTING



$\triangle B$
8-32 TAP(2)
AVAILABLE FOR
MOUNTING



1.00 10.900



MATERIAL: — —	UNLESS SPECIFIED DIMENSIONS ARE IN INCHES		CUST. APP.	ENGR. MOD
FINISH: — —	FRACTION ± —	DECIMAL .XX± .010 .XXX± .005	ANGLE ±1/2'	DWN BY T.M.
APPLICATION			PAGE	OF
ASSEMBLY	MODEL	QTY	SCALE:	NONE
	LEMUR-2/2K	1	DATE	11-6-09

BOCA Systems, Inc.

$\triangle B$ LEMUR-2/2K REFERENCE

REMOVE ALL BURRS AND SHARP EDGES

CODE IDENT. No.	SIZE A	DRAWING NO. SK1106093	REV. B
-----------------	-----------	--------------------------	-----------